

Conelock Nut

Thread Type: UNF - Fine

Thread Direction: Right Hand

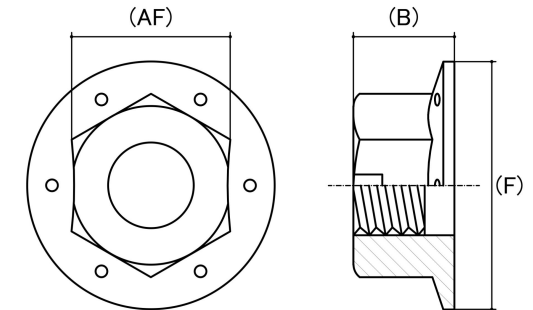
Material: Carbon Steel

Class Grade: High Tensile Grade C

Finish: Zinc Plated

Corrosion Protection Level: Moderate

Standard: IF1100-107 Grade C



*CAD drawings shown for graphic representation only.**

Size	Thread Pitch (TPI)	Thread Type	Overall Nut Height (B) (mm)		Hex Height (H) (mm)	Across Flats (AF) (mm)		Spanner Size (AF) (inches)	sku (qfind)
			Min	Max	Nom	Min	Max		
1/4"	28	Fine	5.30	6.00	3.69	10.88	11.16	7/16	41CLF14
5/16"	24	Fine	6.55	8.00	4.22	12.43	12.76	1/2	41CLF516
3/8"	24	Fine	8.10	8.60	5.03	14.00	14.28	9/16	41CLF38
7/16"	20	Fine	9.00	10.00	5.67	17.15	17.48	11/16	41CLF716
1/2"	20	Fine	10.85	12.00	6.66	18.70	19.05	3/4	41CLF12
9/16"	18	Fine	12.00	12.60	7.27	21.87	22.23	7/8	41CLF916
5/8"	18	Fine	13.60	14.30	8.36	23.42	23.83	15/16	41CLF58
3/4"	16	Fine	15.65	16.90	9.71	27.64	28.58	1-1/8	41CLF34
7/8"	14	Fine	18.00	20.00	11.43	32.24	33.33	1-5/16	41CLF78

Disclaimer:

Dimensional data and technical information was obtained from publically available sources and not acquired through standard agencies. It has been completed and compiled for reference purposes only; where discrepancies are found they are subject to change without notice. Bolt & Nut Australia makes no warranties or representations regarding the accuracy and validity of the compiled information and data. Contact the relevant standard authorities for accurate and detailed information.

* CAD drawings may not reflect diameter, thread length or overall length.

© Bolt & Nut Australia Pty Ltd. All rights reserved.

Version: 18 Mar 2024